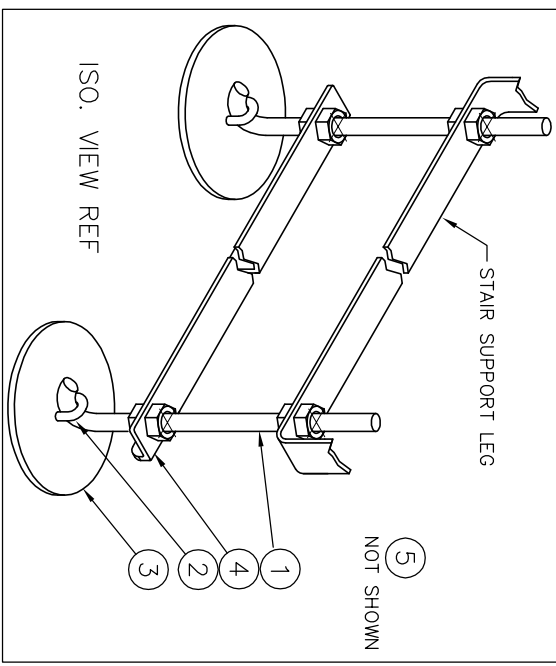


QUANTITIES LISTED IN MATERIALS LIST ARE FOR ALL PARTS.
 18" LENGTH FOR ITEM 4, ADJUST AS REQUIRED FOR STEP WIDTH
 ITEM 5 OPTIONAL BUT RECOMMENDED IF YOUR STEP BASE IS FLAT BAR

ENSURE ENOUGH INBOARD
 PLACEMENT SO STEPS ARMS
 DO NOT HIT J-BOLTS WHEN FOLDING.
 OTHERWISE JBOLTS WILL NEED TO BE REMOVED

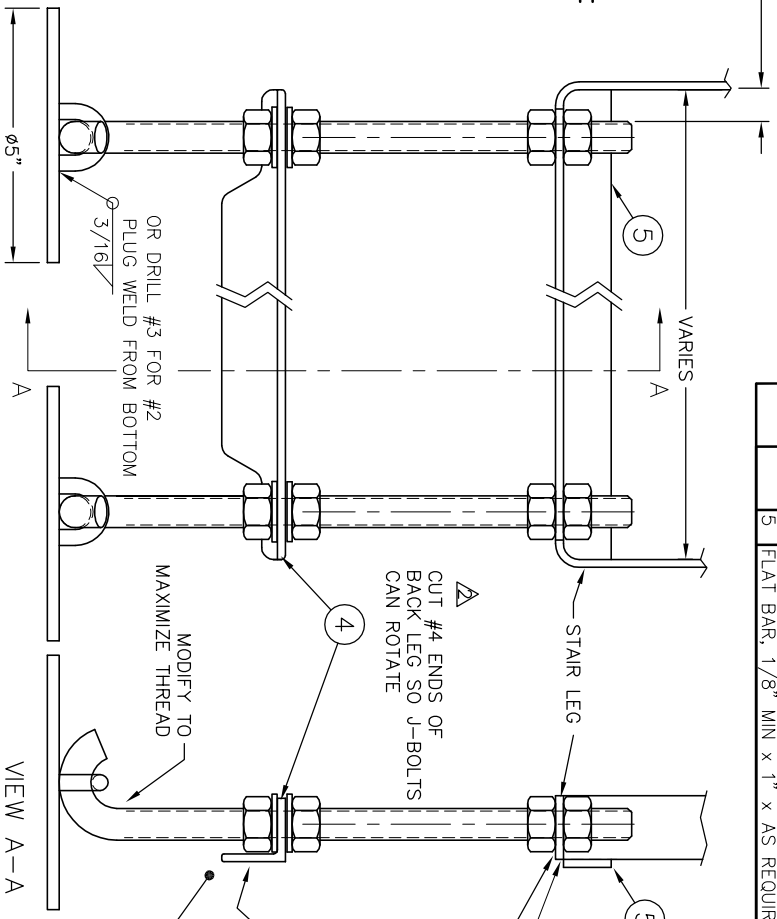
#2 HALF LINK OF CHAIN, UBOLT ETC.
 INSURE JBOLT/EYEBOLT CAN ARTICULATE & SLIDE FREELY
 WITHOUT EXCESSIVE SLOP, JBOLT WILL ALLOW REMOVAL OF BASE



THERE'S A MILLION WAYS TO ADD ADJUSTABILITY TO YOUR STEPS. I ONLY SUPPLY THIS DRAWING AS AN
 EXPLANATION OF WHAT WE USE. INTENT OF DESIGN IS FOR SIMPLE ADJUSTMENT ON UNEVEN GROUND.
 HOWEVER, USE TO RAISE ENTIRE STEP ASSEMBLY WHEN REAR OF CAMPER IS TOO HIGH.
 AND USE A SEPARATE STEP ATTACHED TO STAIRS. IF YOU ONLY ARE ADDING THE ABILITY TO ADJUST
 FOR UNEVEN GROUND YOUR BOLTS WOULD BE LESS THAN 9" 1 USE & BRACE #4 MAY NOT BE NEEDED.

warning ADJUSTERS WILL ALLOW QUITE A BIT OF COMPENSATION FOR UNLEVELED GROUND
 AND PROVIDE SUPPORT. HOWEVER END OF STEP WILL STILL TRY TO WALK DOWNHILL.
 ESPECIALLY IF GROUND WET/SLICK OR LOOSE. TENT STAKES ON DOWNHILL SIDE MAY HELP.
 USE EXTREME CAUTION IF MORE THAN 2" DIFFERENCE BETWEEN ADJUSTERS.
 DON'T USE IF YOUR STEPS ARE NOT SECURELY ATTACHED @ TOP TO CAMPER!

AS DRAWN, AT MAX ADJUSTED HEIGHT, REQUIRES USE OF SEPARATE STEP,
 E.Y.I.: THE ACTION OF STEPPING DOWN OFF OF A STAIR STEP ONTO A LOOSE OBJECT (IE STOOL ETC)
 USUALLY GENERATES AN OUTWARD FORCE AND LOOSE OBJECT WANTS TO SLIDE OR ROLL AWAY.
 AGAIN USE CAUTION.



WELD TO STAIR LEG, PLACE INSIDE.
 INSURE PLACEMENT DOESN'T
 INTERFERE WITH STEP FOLDING.
 MIN @ ENDS AND
 STITCH 1" 2 PLS MIDDLE
 3/16"

STAIR BOTTOM LEG REF
 DRILL MIN Ø17/32" THRU
 BOTH ENDS AT OUTER EDGES
 ALLOWING FOR CLEARANCE
 OF STEP ARMS WHEN FOLDING

CROSS SUPPORT # 4
 DRILL MIN Ø17/32" THRU
 BOTH ENDS AT OUTER EDGES
 MATCHING WIDTH OF HOLES
 IN STAIR LEG

ELONGATE HOLES (ALONG LENGTH),
 THIS HELPS IN USING ADJUSTERS
 ON STEP SIDE HILLS.

BILL OF MATERIALS

MARK	DESCRIPTION	TOTAL QTY.	SPECIFICATION	WEIGHT (TOTALS)	PURCHASING NUMBER
17-A	1 J BOLT OR EYE BOLT, 1/2-13 x AS REQUIRED (9")	2	A36	1.9#	
	W/8 NUTS, 4 FLAT WASHERS (ALTIMAT. ALL THREAD)	2	A36	0.08#	
	2 HALF LINK CHAIN OR UBOLT 5/16" (1/4" MIN)	2	A36	2#	
	3 PLATE 3/16" x Ø5" (4" MIN)	2	A36	1.2#	
	4 ANGLE, 1/8" MIN x 1" x AS REQUIRED (18")	1	A36	0.6#	
	5 FLAT BAR, 1/8" MIN x 1" x AS REQUIRED (18")	1	A36	5.24#	

OUR ELKHORN
 SAN LUIS OBISPO, CA

CHECKED BY/DATE: []
 DRAWN BY/DATE: MAB 02/26/07

DESCRIPTION: INDIVIDUAL ARTICULATING ADJUSTERS
 PRELIMINARY

SCALE: N.T.S.

REV. 2

STANDARDS: B /LD

THIS DRAWING HAS BEEN PREPARED FOR AND IS THE PROPERTY OF ME. DO NOT USE TO BUILD OR CAUSE TO CONSTRUCT ANY ITEM WITHOUT MY PERMISSION WITH PERFORMANCE OF WORK BY ME AND IS TO BE safeguarded against both deliberate and inadvertent disclosure to any idiot or moron. REPRODUCTION IN WHOLE OR IN PART FOR ANY PURPOSE MAY CAUSE INJURY OR DEATH, AND IS EXPRESSLY FORBIDDEN.